



## Features

The dynamical cone geometry built with Magnesium composite materials creates an authentic sound. The airflow optimized motor design plus the phase plug construction supports an spacial and agile sound impression.

Die dynamische Membran-Geometrie in Magnesium-Composite-Ausführung fasziniert durch eine authentische Wiedergabe. Der strömungsoptimierte Antrieb und die offene Phase-Plug-Bauweise unterstützen zudem ein räumlich-lebendiges Klangbild.

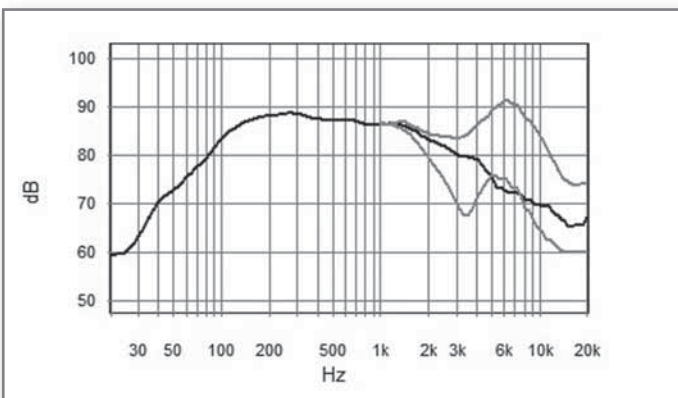
#1.1669.01

## Main technical data

Nominal impedance	$Z_n$	8	$\Omega$
DC resistance	$R_e$	6.2	$\Omega$
Resonance frequency 1W	$f_r$	32	Hz
Resonance frequency TSP	$f_r$	35	Hz
Suspension compliance	$C_{MS}$	1.23	mm/N
Mechanical Q	$Q_{ms}$	6.08	
Electrical Q	$Q_{es}$	0.34	
Total Q	$Q_{ts}$	0.32	
Mechanical resistance	$R_{MS}$	0.66	kg/s

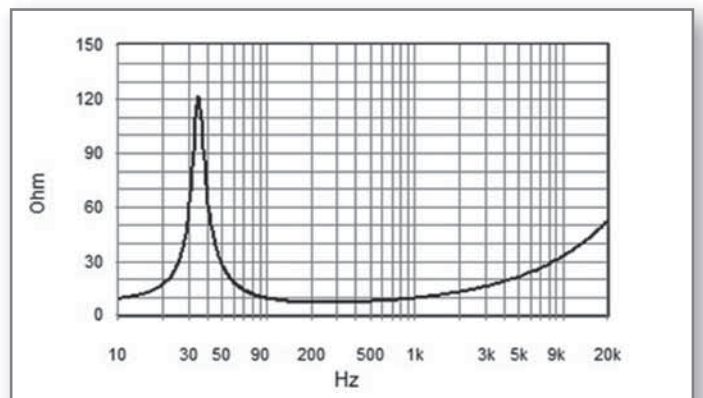
Total moving mass (incl. air mass)	$M_{MD}$	16.6	g
Effective piston area	$S_D$	137	cm <sup>2</sup>
Voice coil inductance	$L_e$	0.34	mH
Force factor	$B_L \times l$	7.9	Tm
Xmax electrical	+/-	5.5	mm
Xmax mechanical	+/-	9.5	mm
Equivalent air vol. of suspension	$V_{AS}$	32.5	dm <sup>3</sup>
Characteristic SPL 1 Watt/1m		89	dB SPL
Rated power		80	W

## Frequency response

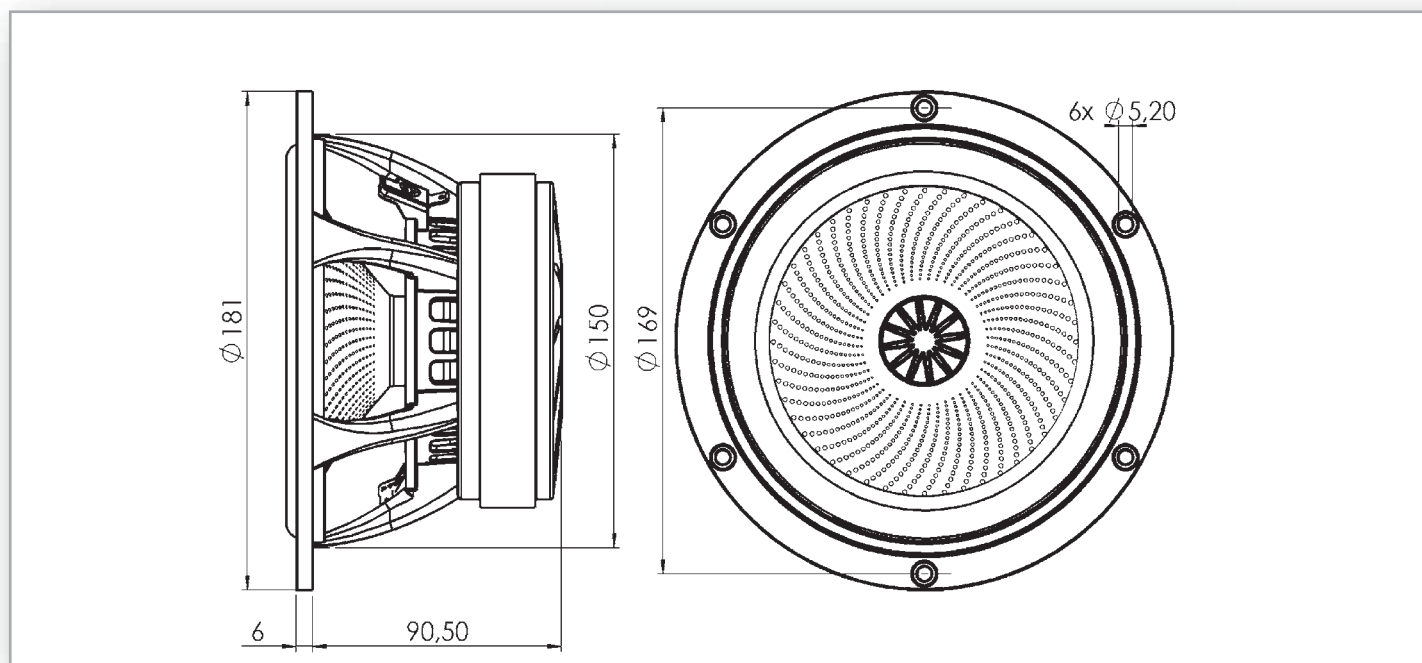


SPL 2,83 V/1m; black 30°, grey 0,60°  
Half space; endless baffle; enclosure 700 l

## Impedance



Measured free air without baffle



### Mechanical data

Overall diameter	181	mm
Cutout diameter	150	mm
Frame depth	6	mm
Overall depth	96.6	mm
Screw holes diameter	5/ 9	mm
Terminal	4.8/ 6.3	mm
Weight	2.66	kg

### Voice coil

Diameter	32	mm
Height	17	mm
Wire material	Cu	
Former material	Glass fibre	
Layers	1	

### Magnet

Flux density	1.26	T
Height of gap	6	mm
Material	Ferrite	
Dimension	121 x 50	mm
Height	20	mm
Motor type	Overhung	
Ferrofluid	no	

### Other data

Recommended frequency range	50-3000	Hz
-----------------------------	---------	----