



Features

7" Bass-Midrange driver for multiple usage, 3-layer Hexacone Sandwich cone, fast and detailed reproduction, equipped with a solid bass-base, homogeneous uncolored sound performance.

5" Tiefmitteltöner mit variablem Einsatzbereich, offene Phase Plug Bauweise, 3-schichtige Hexacone Sandwich-Membrane, räumlich offene Wiedergabe, neutrale Klangeigenschaften.

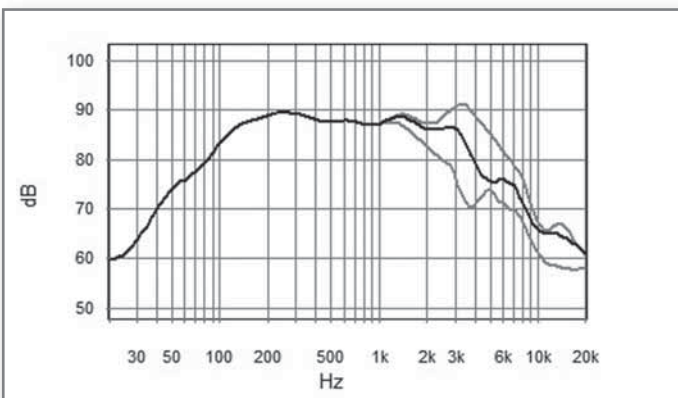
#1.1664.04

Main technical data

Nominal impedance	Z_n	8	Ω
DC resistance	R_e	6.6	Ω
Resonance frequency 1W	f_r	31	Hz
Resonance frequency TSP	f_r	38	Hz
Suspension compliance	C_{MS}	0.98	mm/N
Mechanical Q	Q_{ms}	5.61	
Electrical Q	Q_{es}	0.34	
Total Q	Q_{ts}	0.32	
Mechanical resistance	R_{MS}	0.75	kg/s

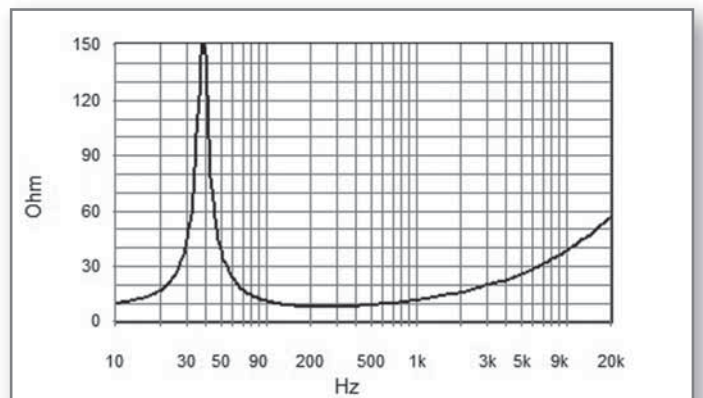
Total moving mass (incl. air mass)	M_{MD}	17.5	g
Effective piston area	S_D	137	cm ²
Voice coil inductance	L_e	0.95	mH
Force factor	$B_L \cdot x_l$	9.0	Tm
Xmax electrical	+/-	4.5	mm
Xmax mechanical	+/-	8.8	mm
Equivalent air vol. of suspension	V_{AS}	26.0	dm ³
Characteristic SPL 1 Watt/1m		89	dB SPL
Rated power		80	W

Frequency response

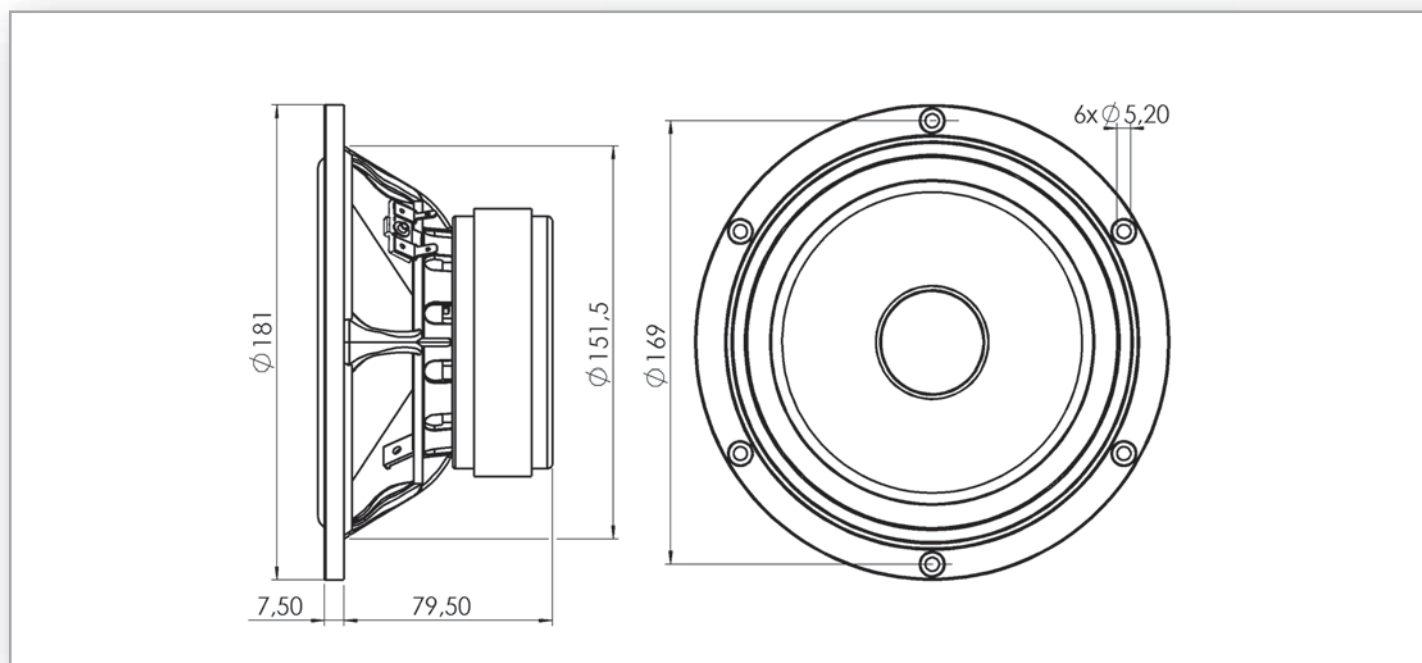


SPL 2,83 V/1m; black 30°, grey 0,60°
Half space; endless baffle; enclosure 700 l

Impedance



Measured free air without baffle



Mechanical data

Overall diameter	181	mm
Cutout diameter	151.5	mm
Frame depth	7.5	mm
Overall depth	87	mm
Screw holes diameter	5.2/ 9	mm
Terminal	2.8/ 4.8	mm
Weight	1.95	kg

Voice coil

Diameter	32	mm
Height	17	mm
Wire material	Cu	
Former material	Kapton	
Layers	1	

Magnet

Flux density	1.00	T
Height of gap	8	mm
Material	Ferrite	
Dimension	102 x 46	mm
Height	22	mm
Motor type	Overhung	
Ferrofluid	no	

Other data

Recommended frequency range	50-3000	Hz
-----------------------------	---------	----