



Features

5" Bass-Midrange driver for multiple usage, 3-layer Hexacone Sandwich cone, fast and detailed reproduction, authentic staging, homogeneous uncolored sound performance.

5" Tiefmitteltöner mit variablem Einsatzbereich, 3-schichtige Hexacone Sandwich-Membrane, schnelle detailreiche Wiedergabe, authentische Raumabbildung, homogener neutraler Klang.

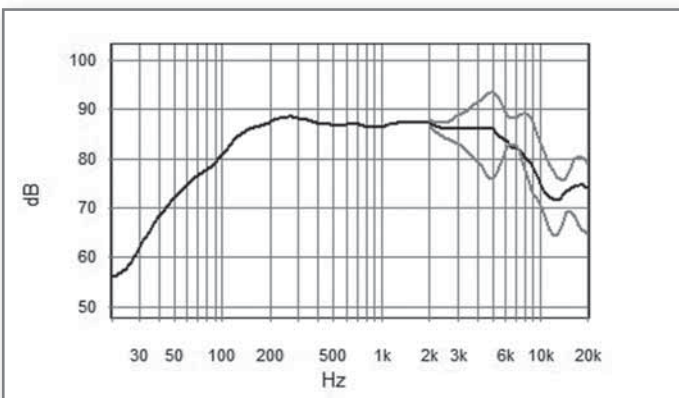
#1.1354.01

Main technical data

Nominal impedance	Z_n	8	Ω
DC resistance	R_e	5.4	Ω
Resonance frequency 1W	f_r	50	Hz
Resonance frequency TSP	f_r	53	Hz
Suspension compliance	C_{MS}	0.99	mm/N
Mechanical Q	Q_{ms}	7.13	
Electrical Q	Q_{es}	0.41	
Total Q	Q_{ts}	0.39	
Mechanical resistance	R_{MS}	0.43	kg/s

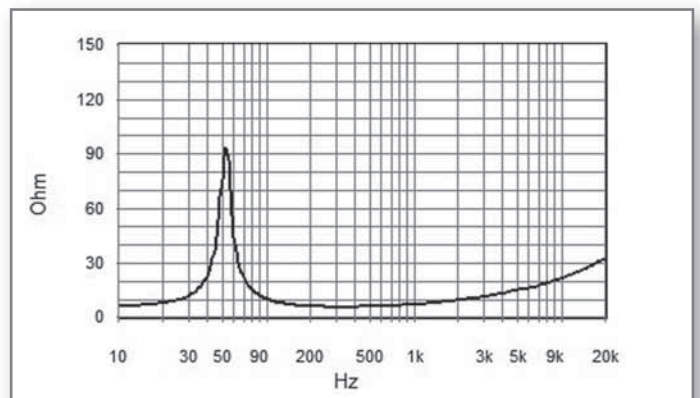
Total moving mass (incl. air mass)	M_{MD}	9.2	g
Effective piston area	S_D	80	cm ²
Voice coil inductance	L_e	0.45	mH
Force factor	$B_L \times l$	6.3	Tm
Xmax electrical	+/-	2.0	mm
Xmax mechanical	+/-	7.5	mm
Equivalent air vol. of suspension	V_{AS}	9.0	dm ³
Characteristic SPL 1 Watt/1m		88	dB SPL
Rated power		50	W

Frequency response

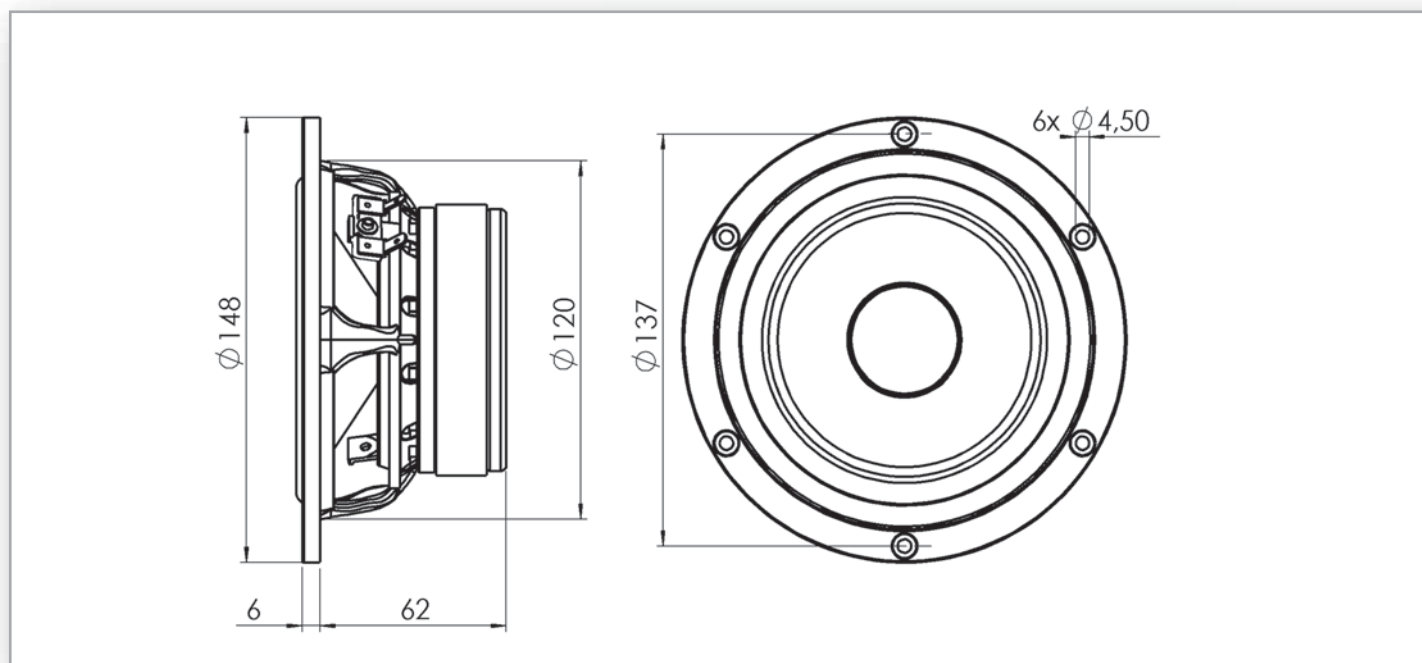


SPL 2,83 V/1m; black 30°, grey 0,60°
Half space; endless baffle; enclosure 700 l

Impedance



Measured free air without baffle



Mechanical data

Overall diameter	148	mm
Cutout diameter	120	mm
Frame depth	6	mm
Overall depth	68	mm
Screw holes diameter	4.5/ 8	mm
Terminal	2.8/ 4.8	mm
Weight	1.24	kg

Voice coil

Diameter	25	mm
Height	10	mm
Wire material	Cu	
Former material	Kapton	
Layers	2	

Magnet

Flux density	1.15	T
Height of gap	6	mm
Material	Ferrite	
Dimension	90 x 36	mm
Height	17	mm
Motor type	Overhung	
Ferrofluid	no	

Other data

Recommended frequency range	50-4000	Hz
-----------------------------	---------	----