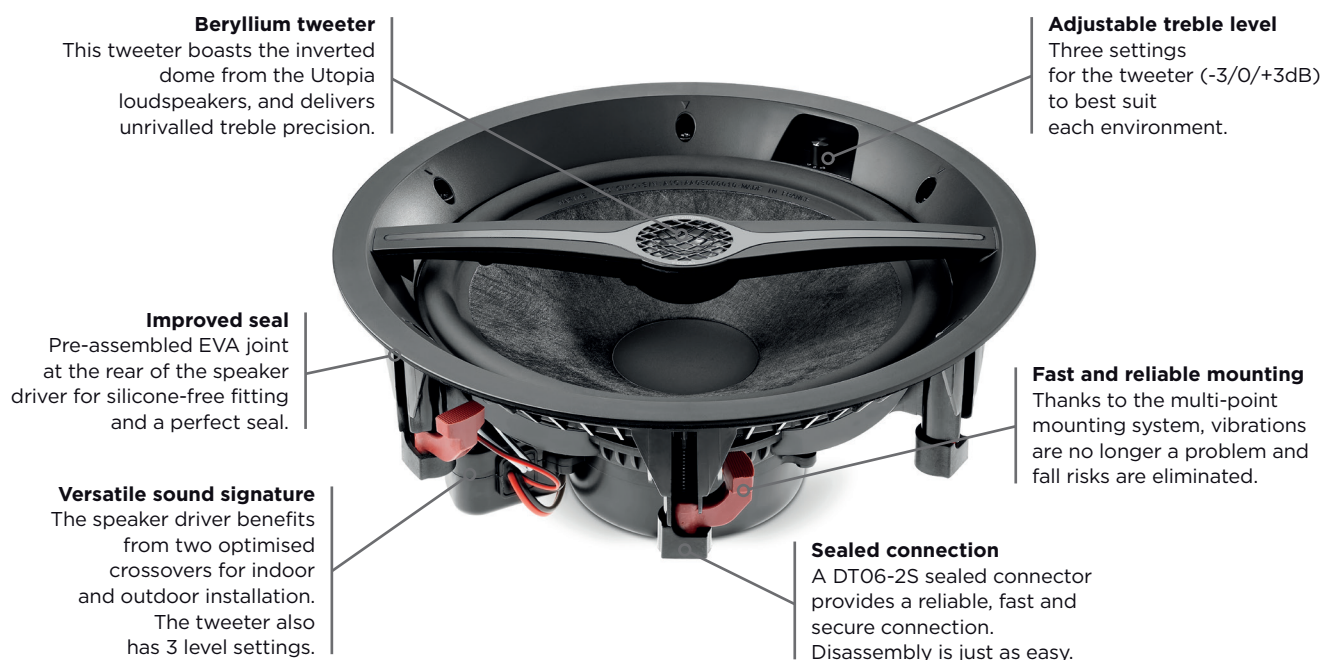


LITTORA 1000 ICW10

Product sheet

MADE IN
FRANCE

The highest performance. Unique for its type, the Littora 1000 ICW10 speaker driver is focused on power, offering features that are unrivalled in its category. Preserving a sound signature inspired by Focal floorstanding loudspeakers, this speaker driver is as at home being used for a celebration as for audiophile listening sessions. Like a dive watch, it has been rigorously developed to perfectly suit being used in extreme conditions, such as yachting or for outdoor or indoor use at home. This speaker driver is characterised by excellence and versatility. The Focal sound in all conditions, no compromise.



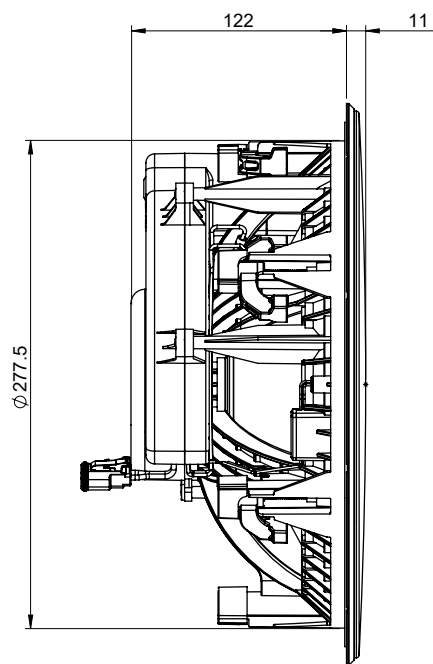
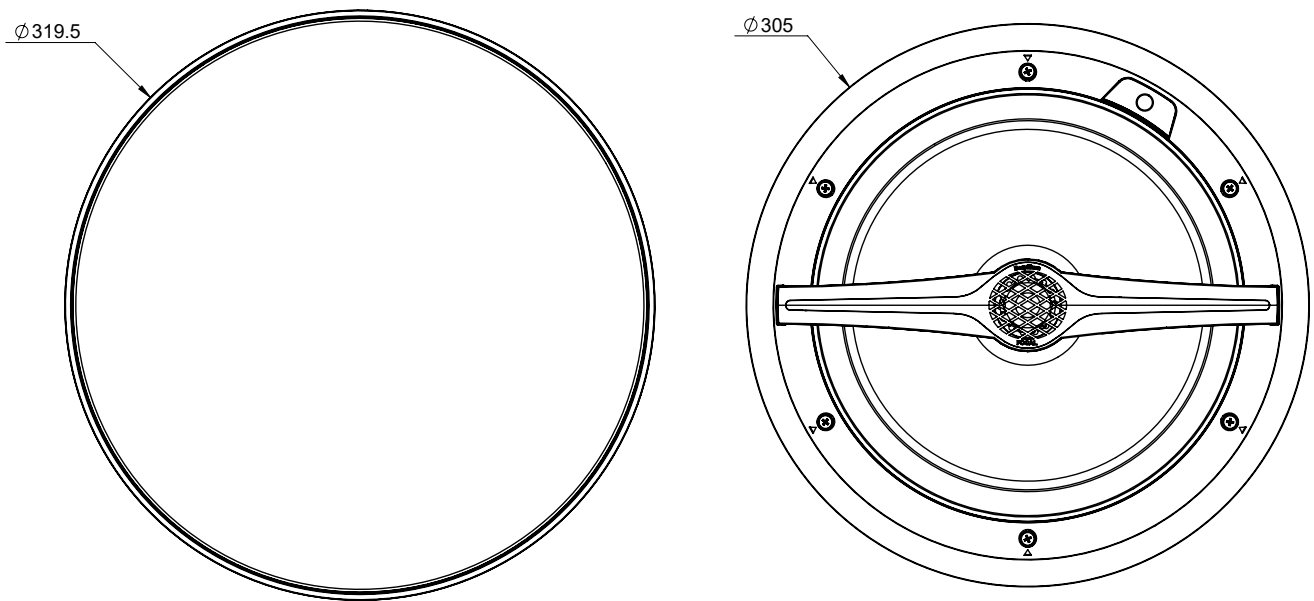
Technical specifications

Type of speaker	LITTORA 1000 ICW10
Diameter	10"
Recommended amp power	50 - 200W
Nominal impedance	8 Ohms
Minimal impedance	4.3 ohms at 150Hz
Sensitivity (2.83 V/3ft - 1m)	92dB
Frequency response	38Hz - 40kHz
Tweeter	Beryllium
IP certification	IP65 (ASTMB117)
Tweeter setting	-3/0/+3dB
Crossover setting	Indoor/Outdoor switch
Grille	Ready-to-paint aluminium
UV resistance	Yes (ASTMG53)
Operating temperatures	-25°C to 90°C
Number of mounting points	6
Connector	DT06-2S sealed
Mounting depth	4 ³ / ₄ " (122mm)
Certifications	ROHS, ROHS 2, CHINA ROHS, REACH

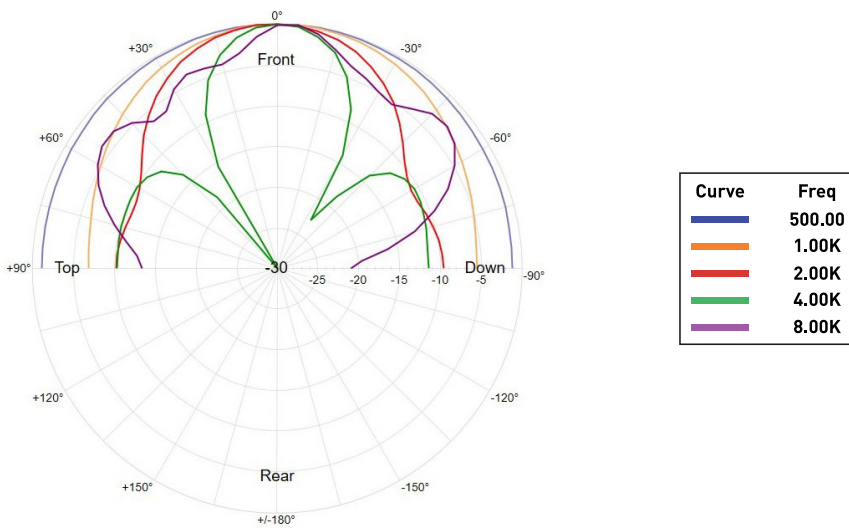
Key points

- Excellent power handling
- Made in France
- Certified IP65 waterproofing
- Ready-to-paint white aluminium grille for limitless customisation
- Shallow mounting depth

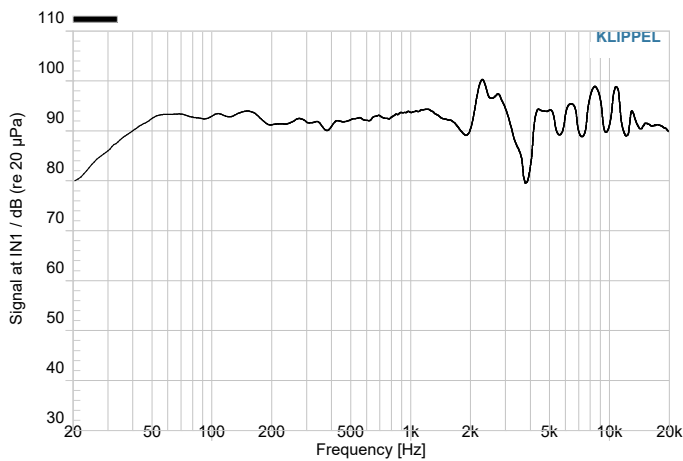
Size (mm)



Measurements Directivity



Frequency Response



Littora 1000 ICW10 Speaker level Calculation Table

Littora 1000 ICW10	Nominal sensitivity		
	92dB		
Power (8Ω)/Distance	1m	2m	5m
1W (2.83V)	92dB	86dB	78dB
20W (12.6V)	105dB	99dB	91dB
50W (20V)	109dB	103dB	95dB
100W (28.3V)	112dB	106dB	98dB

Summary	125Hz	250Hz	500Hz	1kHz	2kHz	4kHz	8kHz
NPA (2.83V/1m)(dB)	92	92	91	90	91	91	92
Aperture angle at -6dB	180°	180°	180°	180°	120°	60°	100°